

BY-PASS DETAIL

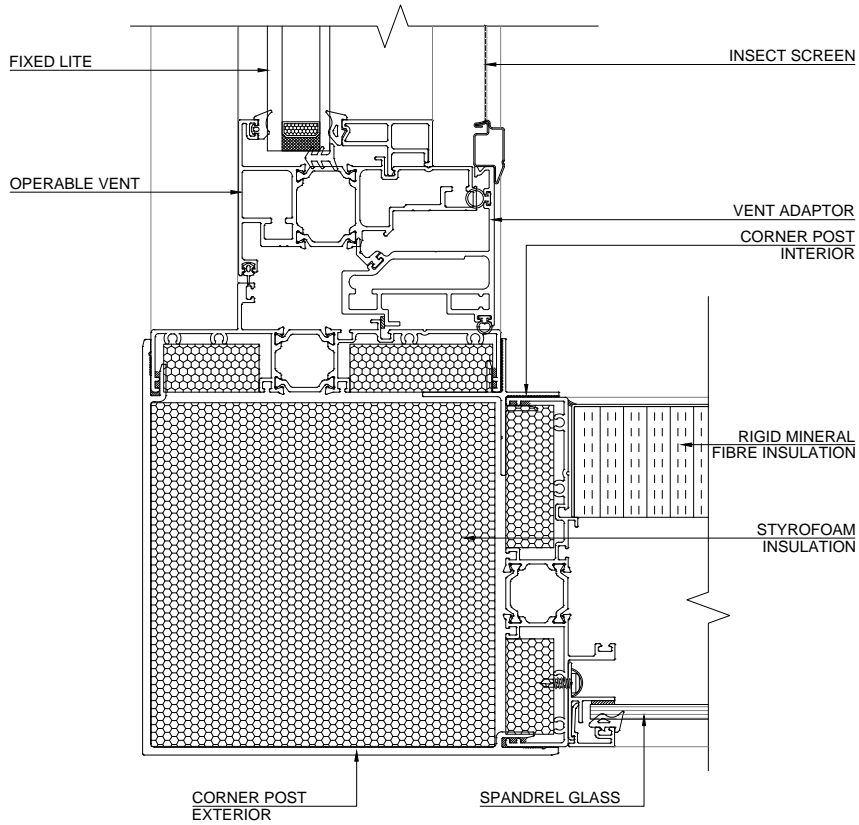
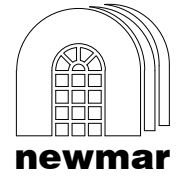
DRAWING TITLE:

BY-PASS DETAIL

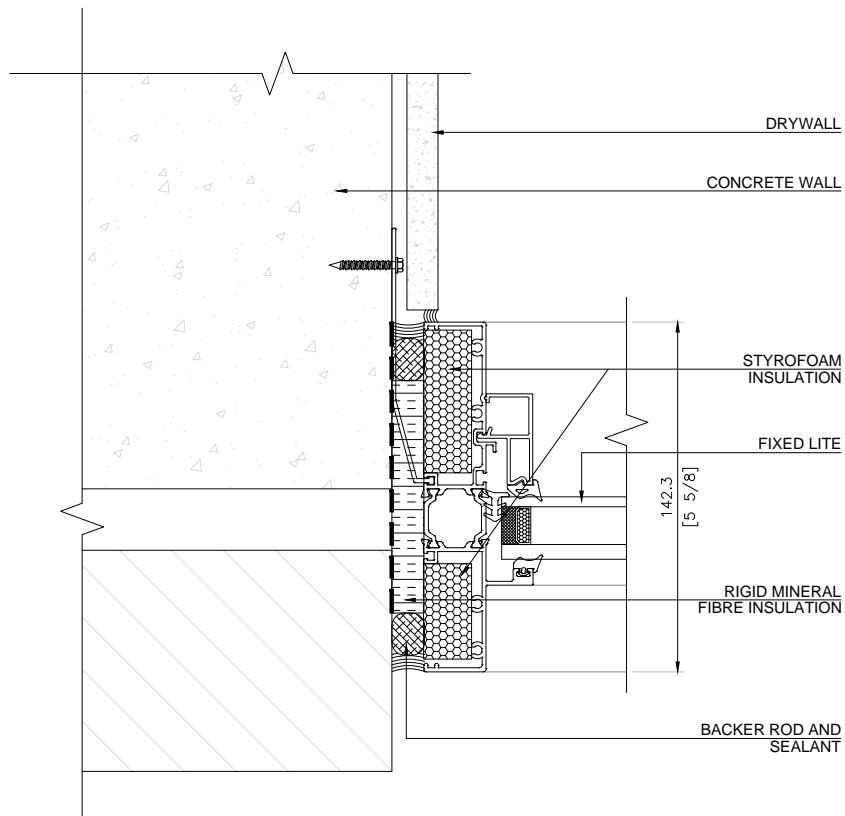
THE INFORMATION CONTAINED HEREIN IS THE PROPERTY OF NEWMAR WINDOW MANUFACTURING INC. (NWM) THE INFORMATION AND RECOMMENDATIONS SET FORTH HEREIN ARE PRESENTED IN GOOD FAITH AND BELIEVED TO BE CORRECT BY NWM. INFORMATION IS SUPPLIED UPON THE CONDITION THAT THE PERSONS RECEIVING THE SAME WILL MAKE THEIR OWN DETERMINATION AS TO ITS SUITABILITY FOR THEIR PURPOSES PRIOR TO USE. IN NO EVENT WILL NWM BE RESPONSIBLE FOR DAMAGES OF ANY NATURE WHATSOEVER RESULTING FROM IMPROPER USE OF THE PRODUCT TO WHICH INFORMATION REFERS. NWM RESERVES THE RIGHT TO CHANGE DETAILS, SIZES, OR SPECIFICATIONS WITHOUT NOTICE. THIS INFORMATION MUST NOT BE USED IN ANY WAY DETRIMENTAL TO INTERESTS OF NWM.

DATE:

JANUARY 2016



CORNER POST DETAIL

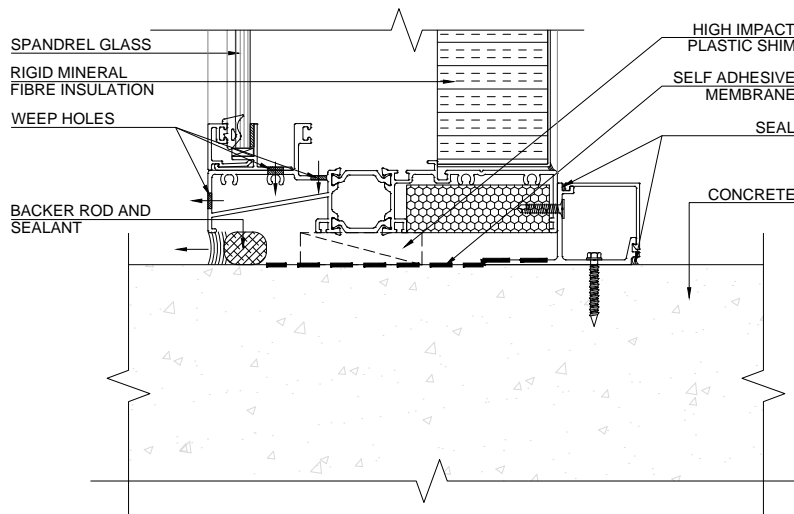


JAMB DETAIL

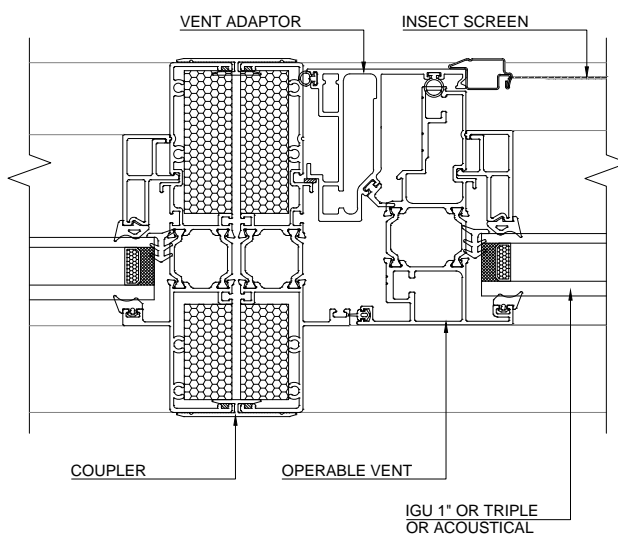
DRAWING TITLE:
**CORNER POST &
 JAMB DETAIL**

THE INFORMATION CONTAINED HEREIN IS THE PROPERTY OF NEWMAR WINDOW MANUFACTURING INC. (NWM) THE INFORMATION AND RECOMMENDATIONS SET FORTH HEREIN ARE PRESENTED IN GOOD FAITH AND BELIEVED TO BE CORRECT BY NWM. INFORMATION IS SUPPLIED UPON THE CONDITION THAT THE PERSONS RECEIVING THE SAME WILL MAKE THEIR OWN DETERMINATION AS TO ITS SUITABILITY FOR THEIR PURPOSES PRIOR TO USE. IN NO EVENT WILL NWM BE RESPONSIBLE FOR DAMAGES OF ANY NATURE WHATSOEVER RESULTING FROM IMPROPER USE OF THE PRODUCT TO WHICH INFORMATION REFERS. NWM RESERVES THE RIGHT TO CHANGE DETAILS, SIZES, OR SPECIFICATIONS WITHOUT NOTICE. THIS INFORMATION MUST NOT BE USED IN ANY WAY DETRIMENTAL TO INTERESTS OF NWM.

DATE:
JANUARY 2016

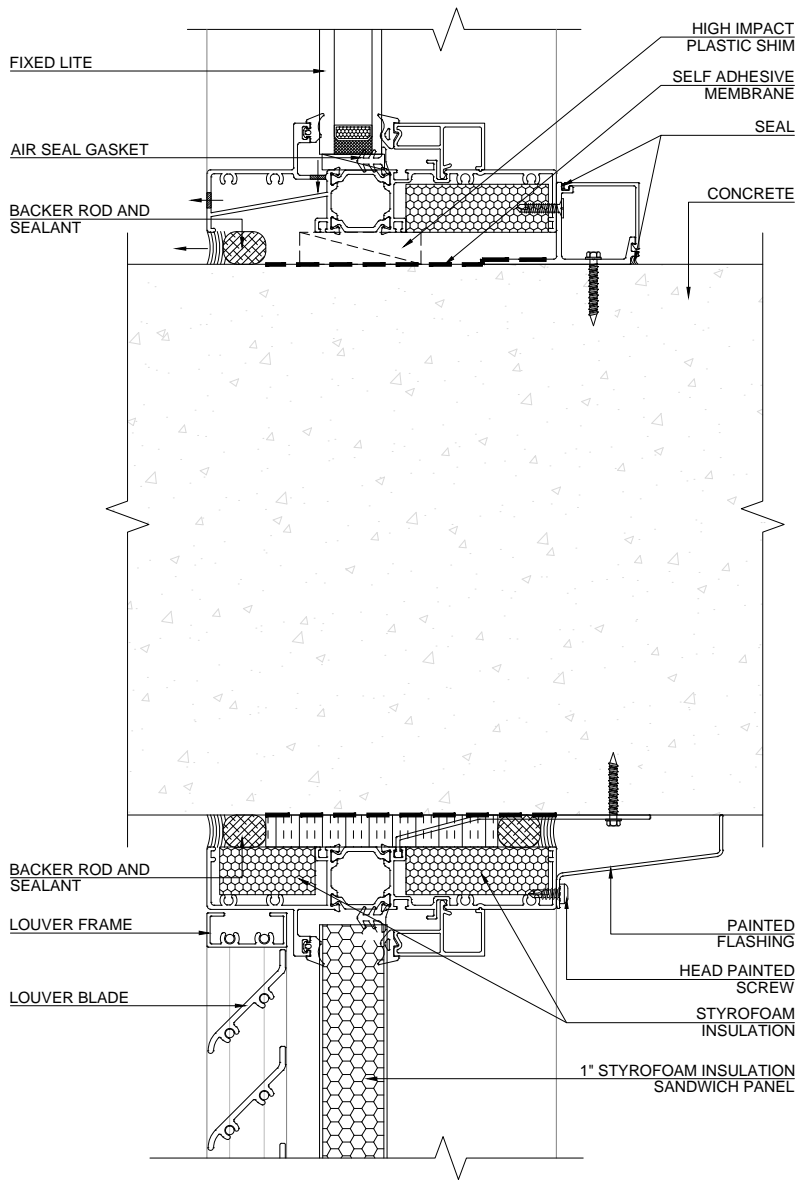


SILL DETAIL - SPANDREL GLASS



COUPLER, VENT DETAIL

SILL DETAIL - FIXED LITE

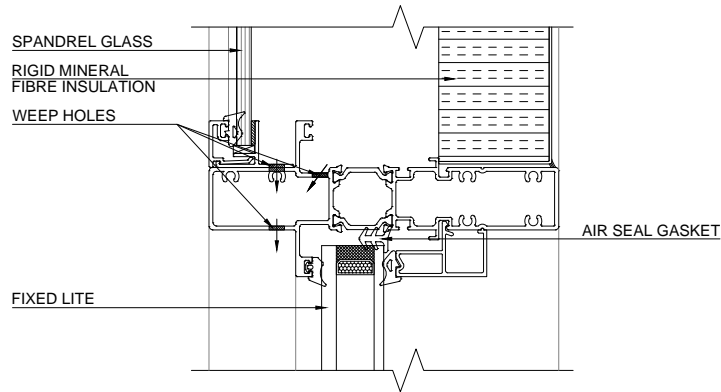


LOUVER DETAIL

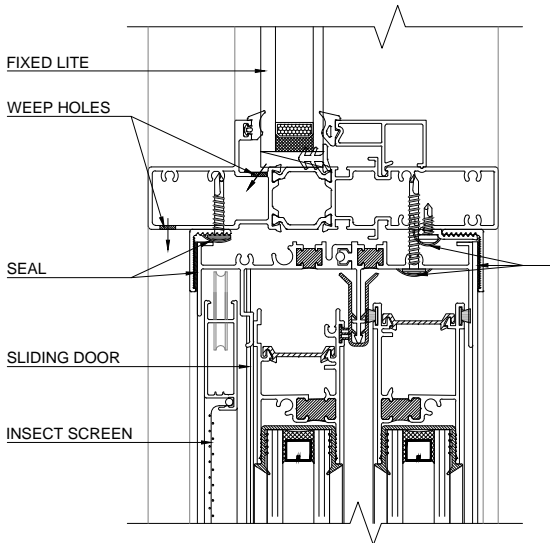
DRAWING TITLE:
**LOUVER DETAIL &
 SILL DETAIL**

THE INFORMATION CONTAINED HEREIN IS THE PROPERTY OF NEWMAR WINDOW MANUFACTURING INC. (NWM) THE INFORMATION AND RECOMMENDATIONS SET FORTH HEREIN ARE PRESENTED IN GOOD FAITH AND BELIEVED TO BE CORRECT BY NWM. INFORMATION IS SUPPLIED UPON THE CONDITION THAT THE PERSONS RECEIVING THE SAME WILL MAKE THEIR OWN DETERMINATION AS TO ITS SUITABILITY FOR THEIR PURPOSES PRIOR TO USE. IN NO EVENT WILL NWM BE RESPONSIBLE FOR DAMAGES OF ANY NATURE WHATSOEVER RESULTING FROM IMPROPER USE OF THE PRODUCT TO WHICH INFORMATION REFERS. NWM RESERVES THE RIGHT TO CHANGE DETAILS, SIZES, OR SPECIFICATIONS WITHOUT NOTICE. THIS INFORMATION MUST NOT BE USED IN ANY WAY DETRIMENTAL TO INTERESTS OF NWM.

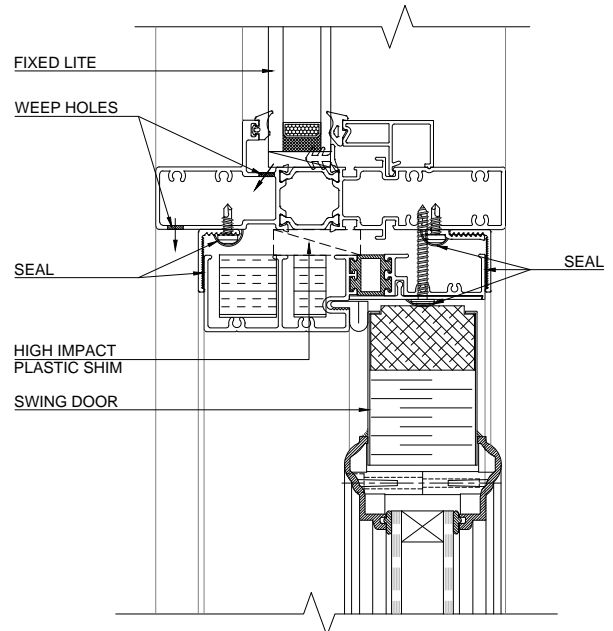
DATE:
JANUARY 2016



SPANDREL GLASS & FIXED LITE



SLIDING DOOR DETAIL



SWING DOOR DETAIL

DRAWING TITLE:

VERTICAL DETAILS

THE INFORMATION CONTAINED HEREIN IS THE PROPERTY OF NEWMAR WINDOW MANUFACTURING INC. (NWM) THE INFORMATION AND RECOMMENDATIONS SET FORTH HEREIN ARE PRESENTED IN GOOD FAITH AND BELIEVED TO BE CORRECT BY NWM. INFORMATION IS SUPPLIED UPON THE CONDITION THAT THE PERSONS RECEIVING THE SAME WILL MAKE THEIR OWN DETERMINATION AS TO ITS SUITABILITY FOR THEIR PURPOSES PRIOR TO USE. IN NO EVENT WILL NWM BE RESPONSIBLE FOR DAMAGES OF ANY NATURE WHATSOEVER RESULTING FROM IMPROPER USE OF THE PRODUCT TO WHICH INFORMATION REFERS. NWM RESERVES THE RIGHT TO CHANGE DETAILS, SIZES, OR SPECIFICATIONS WITHOUT NOTICE. THIS INFORMATION MUST NOT BE USED IN ANY WAY DETRIMENTAL TO INTERESTS OF NWM.

DATE:

JANUARY 2016