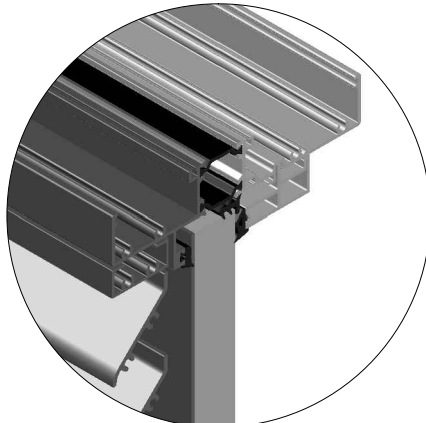
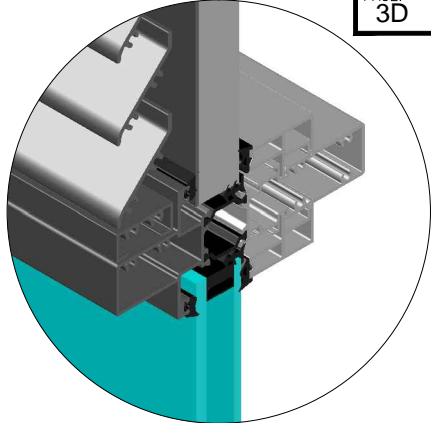


1 H BAR CONNECTION



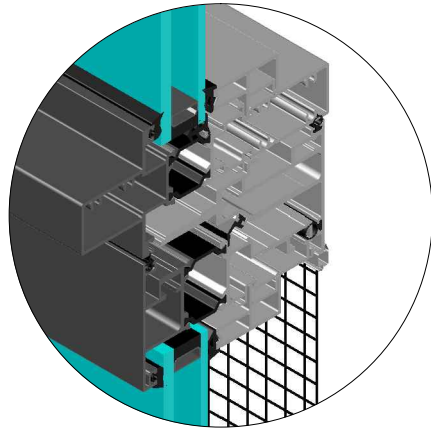
2 LOUVER AT HEAD



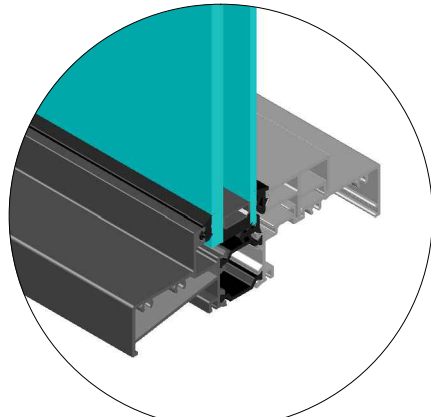
3 LOUVER OVER FIXED GLASS



5 BY PASS



4 FIXED GLASS OVER OPERABLE VENT



6 FIXED GLASS AT SILL

ENGINEER'S SEAL:

REVIEWED FOR STRUCTURAL COMPLIANCE ONLY

	REV/NAME	△ -	TITLE: 3D Sections	CHECKED BY:	PROJECT:	PJT No.:
	DATE	-		RT	2500 Series	-
	REV/NAME	△ -		DRAWN BY:	-	PAGE:
	DATE	-		KL	-	3D
	REV/NAME	△ -		DRAWING DATE:	21.07.17	SCALE:
DATE	-					

