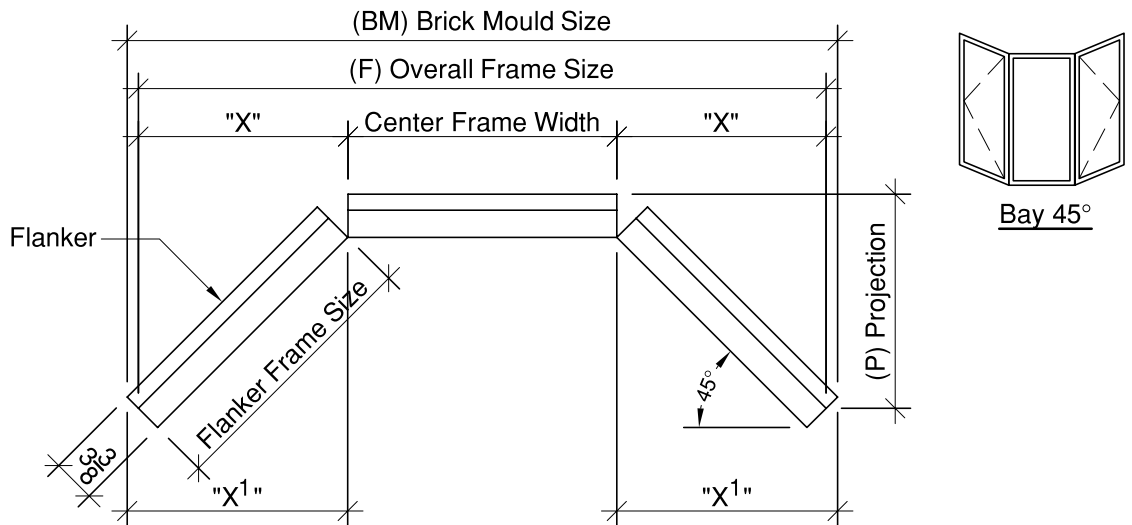




45° VINYL BAY WINDOW



Detail A

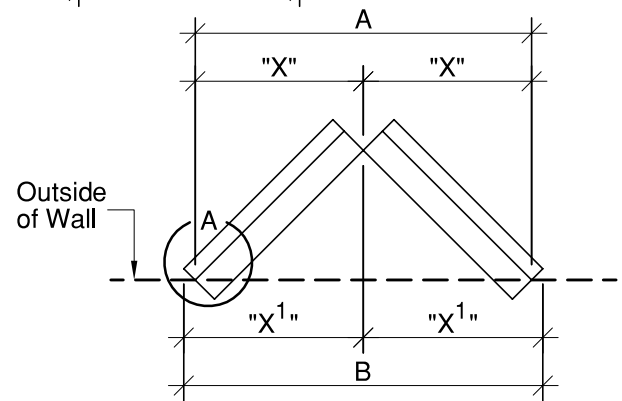
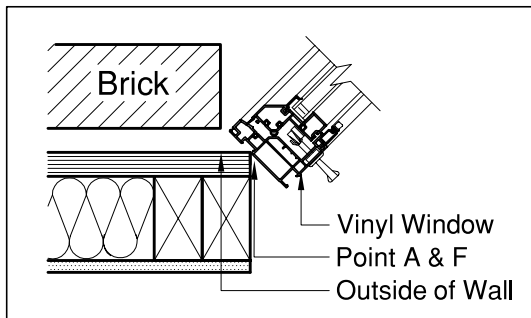


Chart "A"							
Frame Thickness	Angle	Flanker Frame Sizes	(P) Projection	"X"	A = "X" x 2	"X ¹ "	B = "X ¹ " x 2
3 3/8	45°	12	10 3/8	10	20	10 7/8	21 3/4
		18	14 5/8	14 1/4	28 1/2	15 1/8	30 1/4
		21	16 3/4	16 3/8	32 3/4	17 1/4	34 1/2
		24	18 7/8	18 1/2	37	19 3/8	38 3/4
		27	21	20 5/8	41 1/4	21 1/2	43
		30	23 1/16	22 11/16	45 3/8	23 5/8	47 1/4

See Chart "B" to calculate overall Frame Size, Brick Mould Size, Rough Opening and Masonry Opening.

Chart "B"	
CALCULATING	FORMULA
(F) Overall Frame Size	A + Center Frame Width
(BM) Brick Mould Size	B + Center Frame Width
(RO) Rough Opening	A + Center Frame Width + 1
(MO) Masonry Opening	B + Center Frame Width + 1/2

Note:
 - All dimensions are in inches
 - Do not scale drawing