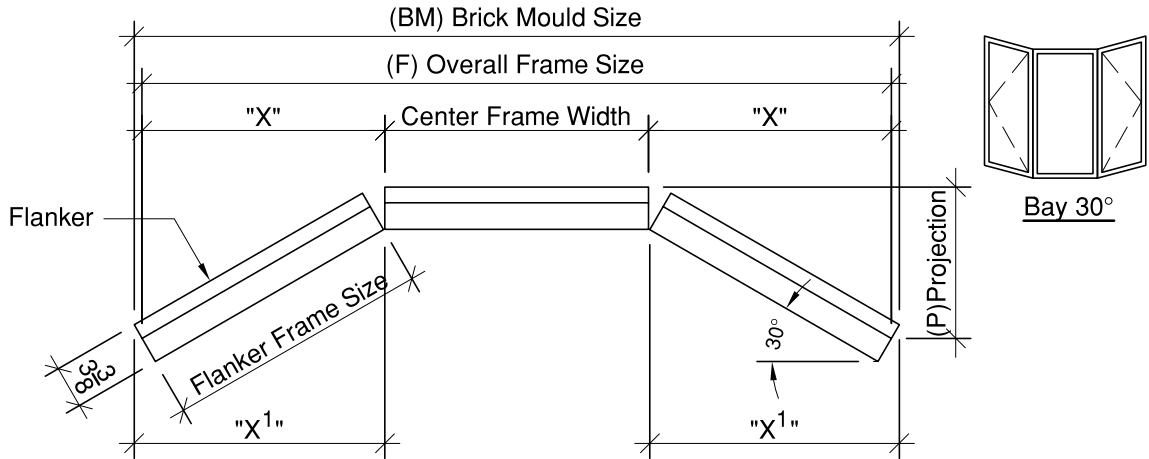


30° VINYL BAY WINDOW



Detail A

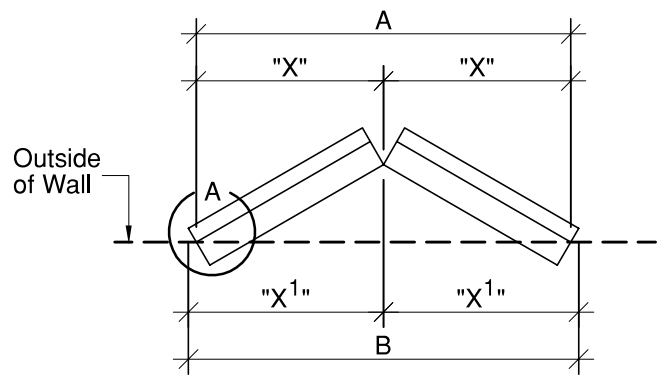
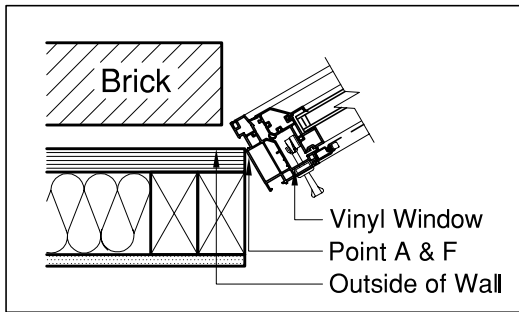


Chart "A"							
Frame Thickness	Angle	Flanker Frame Sizes	(P) Projection	"X"	A = "X" x 2	"X ¹ "	B = "X ¹ " x 2
3 3/8	30°	12	7 9/16	11 9/16	23 1/8	12 1/16	24 1/8
		18	10 9/16	16 3/4	33 1/2	17 1/4	34 1/2
		21	12 1/16	19 3/8	38 3/4	19 7/8	39 3/4
		24	13 9/16	22	44	22 1/2	45
		27	15 1/16	24 9/16	49 1/8	25 1/16	50 1/8
		30	16 9/16	27 3/16	54 3/8	27 11/16	55 3/8

See Chart "B" to calculate overall Frame Size, Brick Mould Size, Rough Opening and Masonry Opening.

Chart "B"	
CALCULATING	FORMULA
(F) Overall Frame Size	A + Center Frame Width
(BM) Brick Mould Size	B + Center Frame Width
(RO) Rough Opening	A + Center Frame Width + 1
(MO) Masonry Opening	B + Center Frame Width + 1/2

Note:
 - All dimensions are in inches
 - Do not scale drawing